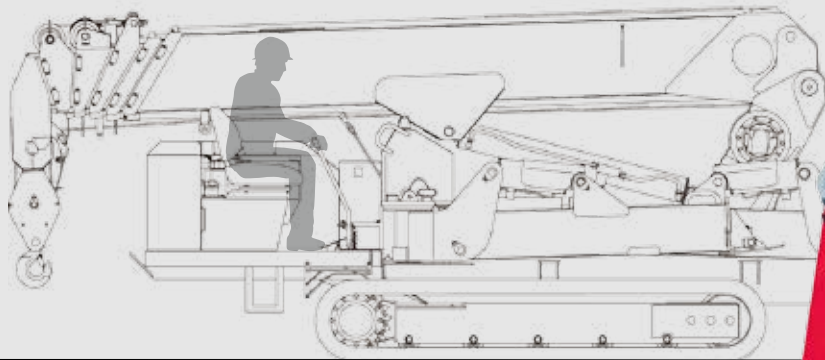


# URW706C

URW706C features maximum hook height of 19.5m with its six section hydraulic boom.



with Safe load indicator (Option)



Max.  
**19.5m**  
Hook height (Approx.)  
(Above ground level)

Max.  
**18.6m**  
Working radius

Max.  
**6.05t**  
**x3.0m**  
Lifting capacity

**7990kg**  
Mass of crane



Radio remote control

Photo: Standard model

## SPECIFICATIONS [with Electric power unit]

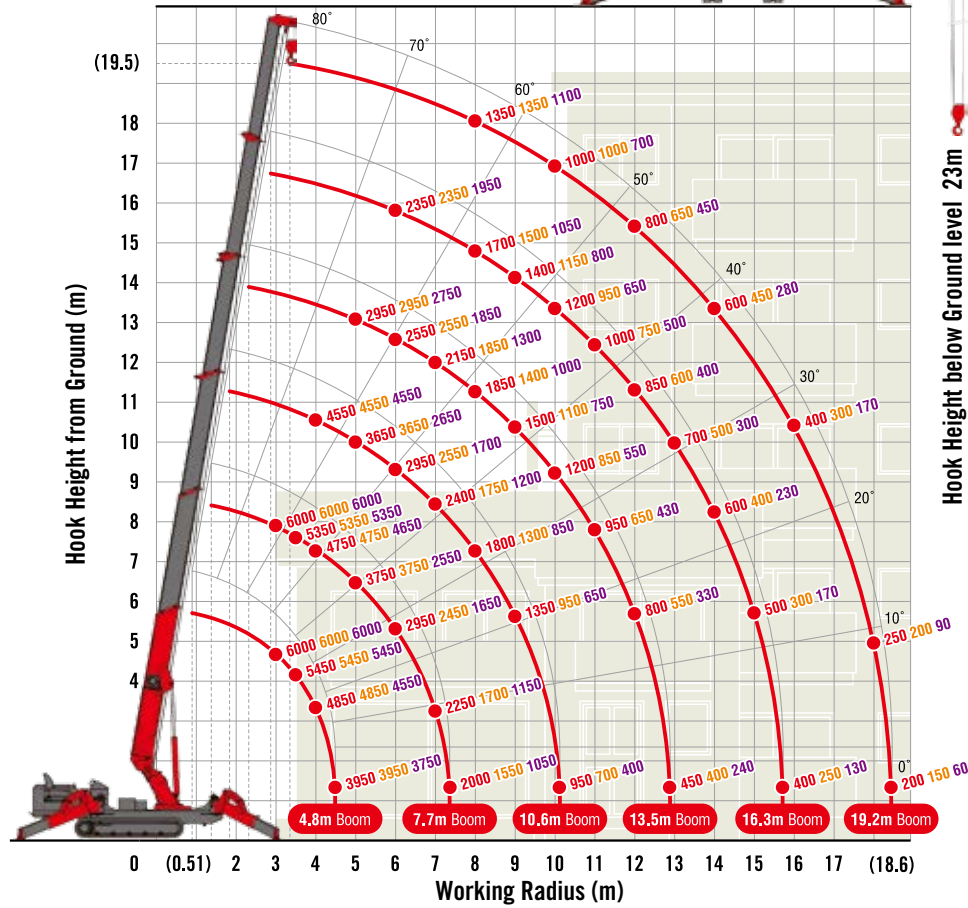
Crane model	URW706C4	
	A (Standard)	E-1(Safe load indicator)
Lifting capacity	Max. 6.05t at 3m	
Working radius	Min. 0.51m, Max. 18.6m	
Hook height (Approx.)	Above ground level	Max. 19.5m
	Below ground level	Max. 23m (with 4-part line)
Boom	Length	Min. 4.8m to Max. 19.2m
	Extending speed	14.4m / 52 sec. [50Hz] 14.4m / 110 sec. [60Hz] 14.4m / 90 sec.
	Raising angle / speed	0° to 80° / 16 sec. [50Hz] 0° to 80° / 45 sec. [60Hz] 0° to 80° / 37 sec.
Structure	6-section box beam type telescoping boom	
Winch	Single line speed	44 m/min (at 4th layer) [50Hz] 15.6 m/min (at 4th layer) [60Hz] 17.7 m/min (at 4th layer)
	Hook speed	11 m/min (at 4th layer with 4-part line) [50Hz] 3.9 m/min (at 4th layer with 4-part line) [60Hz] 4.4 m/min (at 4th layer with 4-part line)
	Wire rope	Construction : IWRC 6 x Fi(29) / Diameter x Length : 10mm x 111m / Breaking strength : 78.4kN (8000 kgf)
Hook block	6t capacity, 2 sheaves with safety latch	
Stewing	Range	360° continuous rotation on a ball bearing race
	Speed	2.5 rpm [50Hz] [60Hz] 1.8 rpm
Outriggers	Horizontal, Vertical A double acting hydraulic cylinder, direct pushing type (Directly connected with hydraulic automatic lock device)	
Hydraulic pump	Type	Variable delivery piston pump
	Rated pressure	For crawling: 24.5 MPa [250 kgf/cm <sup>2</sup> ] For crane: 20.6 MPa [210 kgf/cm <sup>2</sup> ]
Hydraulic oil tank capacity	125.7 liters	
Safety devices [with Safe load indicator]	Pressure relief valve for hydraulic circuit / Counterbalance valves for boom raising and boom telescoping cylinders / Pilot-operated check valves for outrigger cylinders (Horizontal) / Double pilot-operated check valves for outrigger cylinders (Vertical) / Boom angle indicator with load indicator / Hook safety latch / Automatic mechanical brake for winch / Automatic stop for overwinding / Overwinding alarm / Automatic stop for leaving minimum wire rope / Emergency stop button / Inter-lock device of crane and crawling levers / Level / Two colored lamp* / Headlight / Automatic stop for overloading* / Safe load indicator / Inter-lock device of crane and outriggers / Outrigger ground contact detector / Three colored lamp	

\* Only for standard model

# MINI CRAWLER CRANE

## WORKING RANGE & NET RATED LOADS (kg)

Outrigger ● Max-extended Mid-extended Min-extended



Hook Height below Ground level 23m

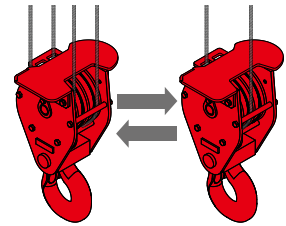
with Electric power unit (Option)



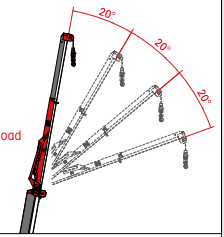
Rated power	7.5kW (3-phase 4 poles)
Voltage	AC 200V or 400V (50Hz / 60Hz)

\*No cable included.

4 - 2 multi-part line hook block (Option)



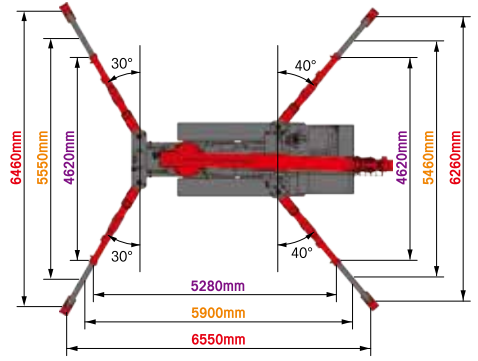
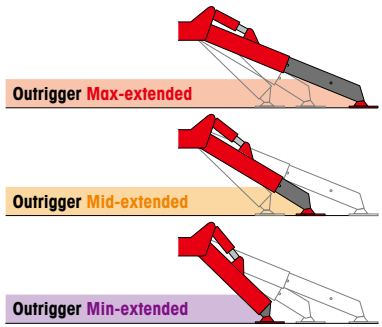
Fly jib assembly (Option)



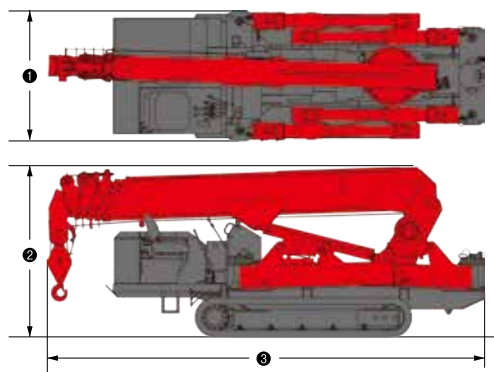
NOTE: Only for safe load indicator model.

Length	[Manual] Retracted: 2.11m Extended: 3.11m [Hydraulic lift] Retracted: 3.8m Extended: 6.0m
Lifting capacity	Max. 820kg
Tilt angles	[Manual] 0°, 20°, 40°, 60° [Hydraulic lift] 0° ~ 60°

## OUTRIGGER POSITIONS



## DIMENSIONS [with Electric power unit]



## CRAWLING GEAR [with Electric power unit]

Crane model	URW706C4
Crawling speed	0~2.9 km/h, forward / backward [50Hz] 0~1 km/h [60Hz] 0~1.2 km/h
Hill climbing ability	23°
Tread length × width	2275mm × 400mm
Ground contact pressure	43.1 kPa [0.44 kgf/cm <sup>2</sup> ] 43.8 kPa [0.45 kgf/cm <sup>2</sup> ]
Engine manufacturer / model	Kubota / D1703-M-DI-E4B
Displacement	1647cc
Maximum output	18.5kW(25.2PS) / 2200 rpm, Rated output
Fuel	Diesel
Fuel tank capacity	60 liters
Steering	Hydraulic drive independent of left / right

Crane model	URW706C4
① Total width	1670mm
② Total height	2190mm
③ Total length	5610mm
Mass of crane	7990kg [8140kg]

# Standard equipments and Options



This transmitter is subject to alternation in some countries. For more information, contact your local UNIC distributor.

## 1 Radio remote control

A Standard model  
B Safe load indicator model



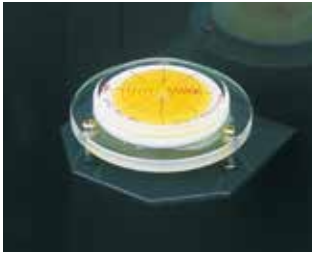
## 2 Automatic stop for overwinding



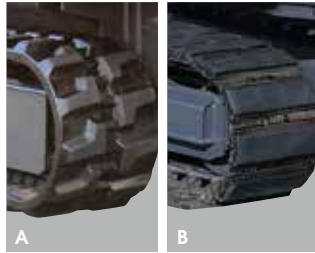
## 3 Automatic hook block stowing



## 4 Emergency stop button

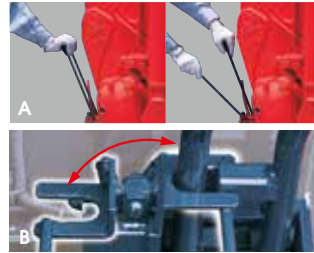


## 5 Level



## 6 Black crawler belt

A URW094C, URW295C, URW376C, URW546C, URW547C, URW706C  
B URW1006C



## 7 Inter-lock device of crane and crawling levers

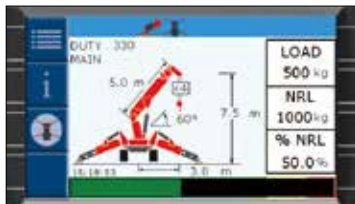
A URW094C, URW295C  
B URW376C, URW546C, URW547C, URW706C, URW1006C



## 8 Headlight



## 9 Safe load indicator (with outrigger ground contact detector)



## 10 Automatic stop for overloading (KM-100/ML-300)

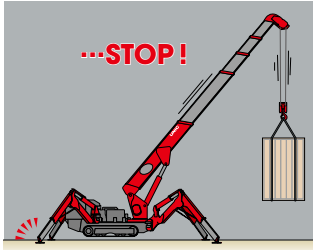


## 11 Load meter / Digital load meter

STANDARD EQUIPMENTS / OPTIONS [★ Standard, ● Factory-installed option, ○ Option, — Not available]

Crane model	URW094C			URW295C		
	URW094CP2E	URW295CP2A	URW295CP2E-1	URW295C4A	URW295C4E-1	URW295CB2A(ECO)
Fuel	Petrol	Petrol		Diesel		Battery
1 Radio remote control (A / B)	★ (A)	★ (A)	★ (B)	★ (A)	★ (B)	★ (A)
2 Automatic stop for overwinding	★	★	★	★	★	★
3 Automatic hook block stowing	★	★	★	★	★	★
4 Emergency stop button	★	★	★	★	★	★
5 Level	★	★	★	★	★	★
6 Black crawler belt (A / B)	★ (A)	★ (A)	★ (A)	★ (A)	★ (A)	★ (A)
7 Inter-lock device of crane and crawling levers	★ (A)	★ (A)	★ (A)	★ (A)	★ (A)	★ (A)
8 Head light	★	—	★	—	★	—
9 Safe load indicator (with outrigger ground contact detector)	—	—	★	—	★	—
10 Automatic stop for overloading (KM-100/ ML-300)	—	—	—	—	—	—
11 Load meter	★	★	—	★	—	★
Digital load meter	—	—	—	●	—	●
12 Turn over prevention device	—	★	—	★	—	★
13 Automatic stop for leaving minimum wire rope	★	●	★	●	★	●
14 Three colored lamp	—	●	★	●	★	●
Two colored lamp	—	—	—	—	—	—
15 Oil cooler	—	—	—	—	—	—
16 Fly jib with single line hook (Manual)	—	—	○	—	○	—
Fly jib with single line hook (Hydraulic tilt)	—	—	—	—	—	—
17 Single line hook	—	—	○	—	—	○
18 Searcher hook assembly	—	—	○	—	○	—
19 Working light	●	—	—	●	●	—
20 Outrigger mats	○	○	○	○	○	○
21 Gray crawler belt	●	●	●	●	●	●
22 Gray crawler belt (as spare)	○	○	○	○	○	○
23 Electric power unit (AC200V or AC400V) [Crane model]	—	● [URW295CP2AM]	● [URW295CP2EM-1]	● [URW295C4AM]	● [URW295C4EM-1]	—
24 20M cable for electric power unit (AC200V or AC400V)	—	○	○	○	○	—
25 2-part line hook block	—	—	○	—	○	—
26 4-2 multi-part line hook block	—	—	—	—	—	—

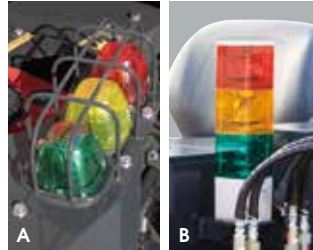
# MINI CRAWLER CRANE



**12** Turn over prevention device



**13** Automatic stop for leaving minimum wire rope



**14** Three colored lamp / Two colored lamp

A URW295C  
B URW376C, URW546C, URW547C, URW706C, URW1006C



**15** Oil cooler



**16** Fly jib with single line hook (Manual / Hydraulic tilt)

\*Searcher hook is included in manual Fly Jib



**17** Single line hook



**18** Searcher hook assembly



**19** Working light



**20** Outrigger mats



**21** Gray crawler belt

**22** Gray crawler belt (as spare)



**23** Electric power unit (AC200V or AC400V)

\*No cable included

**24** 20M cable for Electric power unit (AC200V or AC400V)

**25** 2-part line hook block

**26** 4-2 multi-part line hook block

URW376C		URW546C		URW547C		URW706C		URW1006C	
URW376C4A	URW376C4E-1	URW546C4A	URW546C4E-1	URW547C4A	URW547C4E-1	URW706C4A	URW706C4E-1	URW1006C2E-1	
Diesel		Diesel		Diesel		Diesel		Diesel	
★ (A)	★ (B)	★ (A)	★ (B)	★ (A)	★ (B)	★ (A)	★ (B)	★ (B)	1
★	★	★	★	★	★	★	★	★	2
★	★	★	★	★	★	★	★	★	3
★	★	★	★	★	★	★	★	★	4
★	★	★	★	★	★	★	★	★	5
★ (A)	★ (A)	★ (A)	★ (A)	★ (A)	★ (A)	★ (A)	★ (A)	★ (B)	6
★ (B)	★ (B)	★ (B)	★ (B)	★ (B)	★ (B)	★ (B)	★ (B)	★ (B)	7
★	★	★	★	★	★	★	★	★	8
—	★	—	★	—	★	—	★	★	9
★ (KM-100)	—	★ (KM-100)	—	★ (KM-100)	—	★ (ML-300)	—	—	10
—	—	—	—	—	—	—	—	—	11
★	—	★	—	★	—	—	—	—	12
—	—	—	—	—	—	—	—	—	13
★	★	★	★	★	★	★	★	★	14
★	★	★	★	★	★	—	★	★	15
—	—	—	—	—	—	★	—	—	16
●	●	●	●	★	★	★	★	★	17
—	○	—	○	—	—	—	○	—	18
—	—	—	—	—	—	—	—	—	19
—	—	—	—	—	—	—	—	—	20
—	—	—	—	—	—	—	—	—	21
—	—	—	—	—	—	—	—	—	22
—	—	—	—	—	—	—	—	—	23
●	●	●	●	●	●	●	●	●	24
[URW376C4AM]	[URW376C4EM-1]	[URW546C4AM]	[URW546C4EM-1]	[URW547C4AM]	[URW547C4EM-1]	[URW706C4AM]	[URW706C4EM-1]	[URW1006C2EM-1]	25
○	○	○	○	○	○	○	○	—	26
—	—	—	—	—	—	—	—	—	
—	—	—	—	—	—	—	●	★	