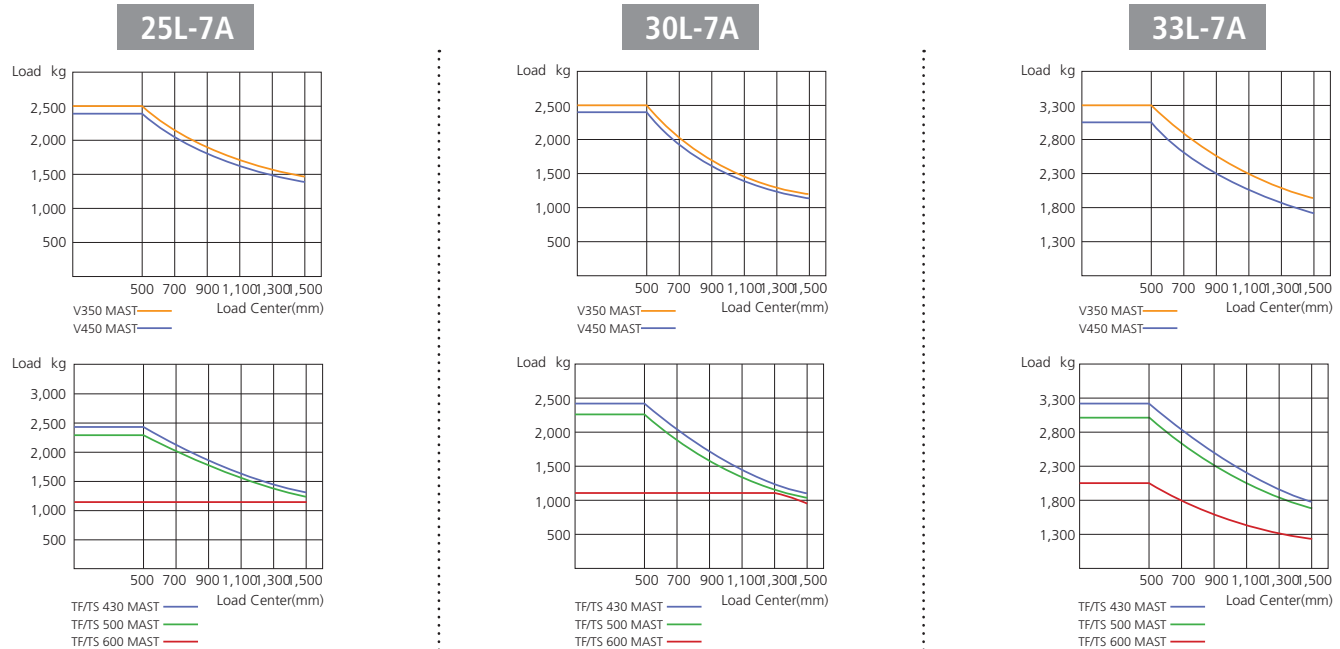


## Mast Specification

| Mast Type                 | Maximum Fork Height (in) |        | Overall Height Lowered (in) |        |        | Free Lift (in) |        |        |                   |        |        | Tilt Angle (deg) |        | Load Capacity w/o Integral Side Shift 24in LC (lb) |        |        |             |        |        | Load Capacity w/ Integral Side Shift 24in LC (lb) |        |        |             |        |        | Truck Weight Unload (lb) |        |        |             |       |       |       |       |       |       |
|---------------------------|--------------------------|--------|-----------------------------|--------|--------|----------------|--------|--------|-------------------|--------|--------|------------------|--------|--|--------|--------|-------------|--------|--------|---|--------|--------|-------------|--------|--------|--------------------------|--------|--------|-------------|-------|-------|-------|-------|-------|-------|
|                           | 25L-7A<br>30L-7A         |        | 25L-7A                      | 30L-7A | 33L-7A | With Backrest  |        |        | With / o Backrest |        |        | Fwd              | Bwd    | Single Tire  |        |        | Double Tire |        |        | Single Tire                                       |        |        | Double Tire |        |        | Single Tire              |        |        | Double Tire |       |       |       |       |       |       |
|                           | 25L-7A                   | 30L-7A | 25L-7A                      | 30L-7A | 33L-7A | 25L-7A         | 30L-7A | 33L-7A | 25L-7A            | 30L-7A | 33L-7A | 25L-7A           | 30L-7A | 33L-7A   | 25L-7A | 30L-7A | 33L-7A      | 25L-7A | 30L-7A | 33L-7A  | 25L-7A | 30L-7A | 33L-7A      | 25L-7A | 30L-7A | 33L-7A                   | 25L-7A | 30L-7A | 33L-7A      |       |       |       |       |       |       |
| 2-Stage Limited Free Lift | V300                     | 118.1  | 2900                        | 79.7   | 2040   | 2040           | 6.1    | 155    | 155               | 6.1    | 155    | 155              | 6      | 10   | 5000   | 6000   | 6500        | 5000   | 6000   | 6500  | 5000   | 6000   | 6500        | 5000   | 6000   | 6500                     | 5000   | 6000   | 6500        | 8260  | 9364  | 9733  | 8560  | 9555  | 9947  |
|                           | *V330                    | 129.9  | 3200                        | 85.6   | 2190   | 2190           | 6.1    | 155    | 155               | 6.1    | 155    | 155              | 6      | 10   | 5000   | 6000   | 6500        | 5000   | 6000   | 6500  | 5000   | 6000   | 6500        | 5000   | 6000   | 6500                     | 5000   | 6000   | 6500        | 8303  | 9408  | 9785  | 8603  | 9599  | 9999  |
|                           | V350                     | 137.8  | 3400                        | 89.6   | 2290   | 2290           | 6.1    | 155    | 155               | 6.1    | 155    | 155              | 6      | 10   | 5000   | 6000   | 6500        | 5000   | 6000   | 6500  | 5000   | 6000   | 6500        | 5000   | 6000   | 6500                     | 5000   | 6000   | 6500        | 8340  | 9448  | 9820  | 8641  | 9638  | 10034 |
|                           | V370                     | 145.7  | 3600                        | 95.5   | 2440   | 2440           | 6.1    | 155    | 155               | 6.1    | 155    | 155              | 6      | 10   | 5000   | 6000   | 6500        | 5000   | 6000   | 6500  | 4820   | 6000   | 6500        | 5000   | 6000   | 6500                     | 4820   | 6000   | 6500        | 8389  | 9498  | 9872  | 8689  | 9689  | 10086 |
|                           | V400                     | 157.4  | 3900                        | 101.4  | 2590   | 2590           | 6.1    | 155    | 155               | 6.1    | 155    | 155              | 6      | 10   | 4930   | 6000   | 6500        | 5000   | 6000   | 6500  | 4750   | 5920   | 6500        | 4820   | 6000   | 6500                     | 4750   | 5920   | 6500        | 8455  | 9566  | 9943  | 8755  | 9757  | 10157 |
|                           | V430                     | 169.3  | 4200                        | 107.3  | 2740   | 2740           | 6.1    | 155    | 155               | 6.1    | 155    | 155              | 6      | 6  | 4850   | 5840   | 6500        | 5000   | 6000   | 6500  | 4670   | 5660   | 6500        | 4820   | 5950   | 6500                     | 4670   | 5660   | 6500        | 8569  | 9682  | 10061 | 8869  | 9873  | 10275 |
|                           | V450                     | 177.2  | 4400                        | 113.2  | 2890   | 2890           | 6.1    | 155    | 155               | 6.1    | 155    | 155              | 6      | 6  | 4740   | 5730   | 6500        | 4938   | 1900   | 6500  | 4560   | 5550   | 6500        | 4758   | 1720   | 6500                     | 4560   | 5550   | 6500        | 8618  | 9732  | 10113 | 8918  | 9923  | 10327 |
| 2-Stage Full Free Lift    | V470                     | 185.0  | 4600                        | 117.1  | 2990   | 2990           | 6.1    | 155    | 155               | 6.1    | 155    | 155              | 6      | 6  | 4630   | 5510   | 6500        | 4850   | 5790   | 6500  | 4450   | 5330   | 6500        | 4670   | 5780   | 6500                     | 4450   | 5330   | 6500        | 8649  | 9765  | 10148 | 8950  | 9956  | 10362 |
|                           | V500                     | 196.9  | 4900                        | 123.0  | 3140   | 3140           | 6.1    | 155    | 155               | 6.1    | 155    | 155              | 6      | 6  | 4400   | 4740   | 6500        | 4630   | 5680   | 6500  | 4220   | 4560   | 6460        | 4450   | 5620   | 6500                     | 4220   | 4560   | 6500        | 8698  | 9816  | 10200 | 8998  | 10007 | 10414 |
| 3-Stage Full Free Lift    | VF290                    | 115.4  | 2900                        | 79.7   | 2040   | 2090           | 33.3   | 860    | 910               | 54.2   | 1314   | 1269             | 6      | 6  | 5000   | 6000   | 6500        | 5000   | 6000   | 6500  | 5000   | 6000   | 6500        | 5000   | 6000   | 6500                     | 5000   | 6000   | 6500        | 8361  | 9453  | 9830  | 8663  | 9643  | 10031 |
|                           | VF320                    | 127.2  | 3200                        | 85.6   | 2190   | 2240           | 39.2   | 1010   | 1060              | 60.1   | 1464   | 1419             | 6      | 6  | 5000   | 6000   | 6500        | 5000   | 6000   | 6500  | 5000   | 6000   | 6500        | 5000   | 6000   | 6500                     | 5000   | 6000   | 6500        | 8435  | 9530  | 9908  | 8737  | 9720  | 10109 |
| 3-Stage Full Free Lift    | TF370/TS370              | 145.7  | 3700                        | 71.9   | 1840   | 1890           | 25.4   | 660    | 710               | 46.3   | 1114   | 1069             | 6      | 6  | 4930   | 6000   | 6500        | 5000   | 6000   | 6500  | 4750   | 5950   | 6500        | 4820   | 6060   | 6500                     | 4750   | 5950   | 6500        | 8560  | 9694  | 10144 | 8862  | 9884  | 10345 |
|                           | TF400/TS400              | 157.4  | 4000                        | 75.8   | 1940   | 1990           | 29.3   | 760    | 810               | 50.3   | 1214   | 1169             | 6      | 6  | 4820   | 5840   | 6500        | 4930   | 6000   | 6500  | 4640   | 5780   | 6500        | 4750   | 5890   | 6500                     | 4640   | 5780   | 6500        | 8613  | 9748  | 10193 | 8915  | 9937  | 10394 |
|                           | TF430/TS430              | 169.3  | 4300                        | 79.7   | 2040   | 2090           | 33.3   | 860    | 910               | 54.2   | 1314   | 1269             | 6      | 6  | 4710   | 5730   | 6500        | 4850   | 5880   | 6500  | 4530   | 5670   | 6500        | 4670   | 5780   | 6500                     | 4530   | 5670   | 6500        | 8653  | 9796  | 10239 | 8955  | 9986  | 10440 |
|                           | TF450/TS450              | 177.2  | 4500                        | 83.7   | 2140   | 2190           | 37.2   | 960    | 1010              | 58.1   | 1414   | 1369             | 6      | 6  | 4540   | 5660   | 6500        | 4760   | 5760   | 6500  | 4360   | 5560   | 6430        | 4580   | 5670   | 6500                     | 4360   | 5560   | 6500        | 8701  | 9852  | 10287 | 9004  | 10042 | 10488 |
|                           | TF470/TS470              | 185.0  | 4700                        | 85.6   | 2190   | 2240           | 39.2   | 1010   | 1060              | 60.1   | 1464   | 1419             | 6      | 6  | 4400   | 5400   | 6500        | 4670   | 5660   | 6500  | 4220   | 5220   | 6390        | 4490   | 5480   | 6500                     | 4220   | 5220   | 6390        | 8731  | 9884  | 10317 | 9033  | 10073 | 10517 |
|                           | TF500/TS500              | 196.5  | 5000                        | 89.6   | 2290   | 2340           | 43.1   | 1110   | 1160              | 64.1   | 1564   | 1519             | 6      | 6  | 3520   | 4630   | 6480        | 4580   | 5510   | 6500  | 3340   | 4450   | 6260        | 4400   | 5330   | 6500                     | 3340   | 4450   | 6500        | 8780  | 9933  | 10366 | 9082  | 10123 | 10567 |
|                           | TF550/TS550              | 216.5  | 5500                        | 97.4   | 2490   | 2540           | 51.0   | 1310   | 1360              | 71.9   | 1764   | 1719             | 6      | 6  | 2640   | 3040   | 4400        | 4400   | 5290   | 6500  | 2460   | 2860   | 4190        | 4220   | 5110   | 6390                     | 2460   | 2860   | 6500        | 9866  | 10030 | 10463 | 9168  | 10220 | 10664 |
| TF600/TS600               | 236.2                    | 6000   | 105.3                       | 2690   | 2740   | 58.9           | 1510   | 1560   | 79.8              | 1964   | 1919   | 6                | 6      | 1760   | 2020   | 2420   | 3520        | 4630   | 6390   | 1580  | 1840   | 2200   | 3340        | 4450   | 6170   | 9009                     | 10184  | 10623  | 9311        | 10374 | 10823 |       |       |       |       |
| 4-Stage Full Free Lift    | QF610                    | 240.7  | 6115                        | 85.0   | 2175   | 2225           | 39.3   | 995    | 1045              | 59.5   | 1449   | 1449             | 3      | 3  | 3310   | 3730   | 4300        | 3810   | 4850   | 6240  | 3170   | 3550   | 4080        | 3520   | 4590   | 6060                     | 3170   | 3550   | 4080        | 9473  | 10509 | 10786 | 9773  | 10701 | 10955 |
|                           | QF660                    | 260.4  | 6615                        | 92.9   | 2375   | 2425           | 47.1   | 1195   | 1245              | 67.4   | 1649   | 1649             | 3      | 3  | 3110   | 3530   | 4080        | 3590   | 4520   | 5950  | 2950   | 3350   | 3860        | 3420   | 4280   | 5730                     | 2950   | 3350   | 3860        | 9603  | 10642 | 10918 | 9903  | 10833 | 11088 |
|                           | QF700                    | 276.2  | 7015                        | 96.8   | 2475   | 2525           | 51.1   | 1295   | 1345              | 71.3   | 1749   | 1749             | 3      | 3  | 2910   | 3110   | 3300        | 3510   | 4430   | 5690  | 2780   | 2950   | 3080        | 3310   | 4190   | 5420                     | 2780   | 2950   | 3080        | 9672  | 10708 | 10985 | 9971  | 10899 | 11153 |
|                           | QF745                    | 293.9  | 7465                        | 102.8  | 2625   | 2675           | 57.0   | 1445   | 1495              | 77.2   | 1899   | 1899             | 3      | 3  | 2290   | 2510   | 2200        | 3310   | 4230   | 5380  | 2160   | 2360   | 1980        | 3150   | 3990   | 5160                     | 2160   | 2360   | 1980        | 9773  | 10809 | 11086 | 10073 | 11001 | 11255 |
| QF790                     | 311.6                    | 7915   | 108.7                       | 2775   | 2825   | 62.9           | 1595   | 1645   | 83.1              | 2049   | 2049   | 3                | 3      | 1480   | 1570   | 1210   | 2090        | 2290   | 2860   | 1370  | 1430   | 1100   | 1920        | 2070   | 2640   | 9993                     | 11032  | 11308  | 10293       | 11224 | 11476 |       |       |       |       |

\* TS-Mast : Wide Visible 3 Stage Full Free Lift Mast with 2 Free Lift Cylinders.

## Load Capacity



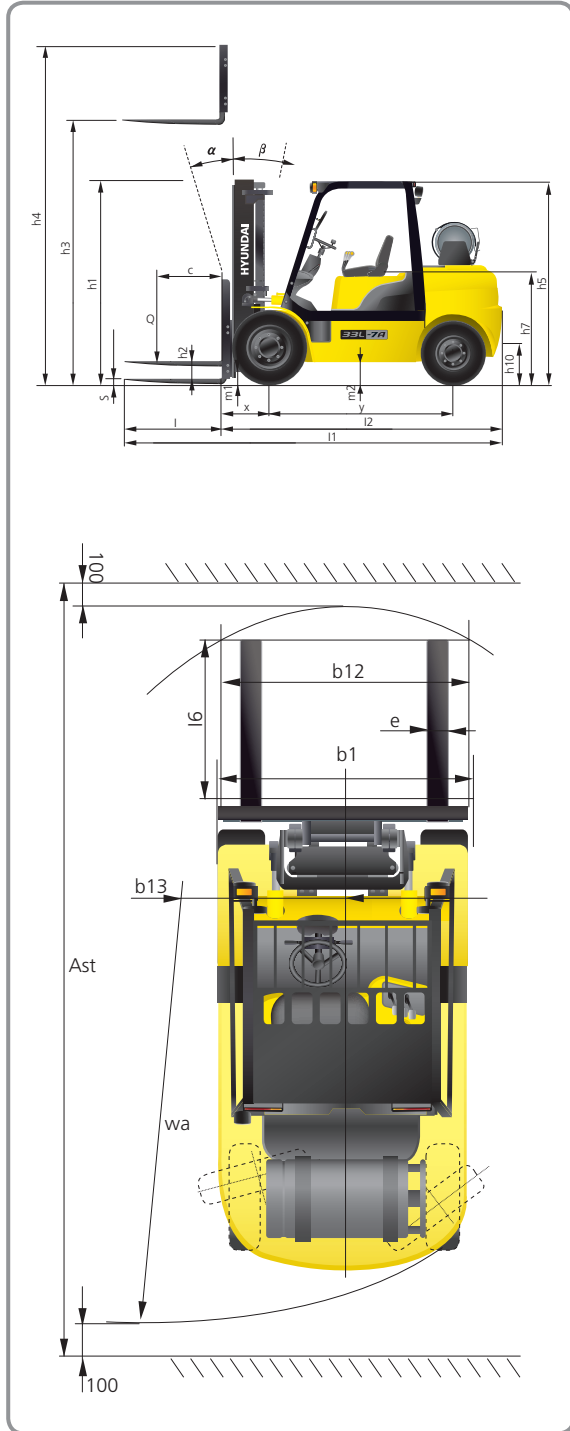
## Optional Items

- CABIN & HEATER
- SIDE SHIFT / INTEGRAL SIDE SHIFT
- OVER SHOE(mm) : 51.2 / 59.1 / 66.9 / 70.9
- FORK (L x W x T) (in)
 

|               |                  |                  |                  |
|---------------|------------------|------------------|------------------|
| <b>25L-7A</b> | 35.4 x 3.9 x 1.8 | 39.4 x 3.9 x 1.8 | 41.3 x 3.9 x 1.8 |
|               | 47.2 x 3.9 x 1.8 | 53.1 x 3.9 x 1.8 | 59.1 x 3.9 x 1.8 |
|               | 65.0 x 3.9 x 1.8 | 70.9 x 3.9 x 1.8 |                  |
- **30/33L-7A**

|                  |                  |                  |
|------------------|------------------|------------------|
| 35.4 x 4.8 x 1.8 | 41.3 x 4.8 x 1.8 | 45.3 x 4.8 x 1.8 |
| 47.2 x 4.8 x 1.8 | 53.1 x 4.8 x 1.8 | 59.1 x 4.8 x 1.8 |
| 65.0 x 4.8 x 1.8 | 70.9 x 4.8 x 1.8 | 77.6 x 4.8 x 1.8 |
| 83.5 x 4.8 x 1.8 | 90.6 x 4.8 x 1.8 | 94.5 x 4.8 x 1.8 |
- TILTING : 6/6°, 3/3°
- TIRE : No-marking, Double
- SEAT : Pocket, Belt, Arm Rest, Hip Rest
- LPG TANK CLAMP : Swing Out, Swing Down
- M.C.V : 4-Spool
- ATTACH PIPING : 3 Spool-piping, 4 Spool-piping
- MASTER SWITCH / HAZARD SWITCH
- BEACON LAMP / WORK LAMP
- TRAVEL SPEED CONTROL SENSOR
- TS-MAST
- PRECLANER • OPSS : Travel + Mast

## Dimension



## Specification

| Identification   |  |                  |                  |
|------------------|--|------------------|------------------|
| 1.1              | Manufacturer   | Hyundai          | Hyundai          |
| 1.2              | Manufacturer's type designation                                      | 25L-7A           | 30L-7A           |
| 1.3              | Drive: electric (battery or mains), diesel, petrol, fuel gas, manual | LP               | LP               |
| 1.4              | Type of operation: hand, pedestrian, standing, seated, order-picker  | seated           | seated           |
| 1.5              | Load capacity / rated load   | Q (lb)           | 5,000            |
| 1.6              | Load center distance   | c (in)           | 24               |
| 1.8              | Load distance, center of drive axle to fork                          | x (in)           | 18.4             |
| 1.9              | Wheelbase  | y (in)           | 65               |
| Weights          |  |                  |                  |
| 2.1              | Service weight   | lb               | 8,152            |
| 2.2              | Axle loading, loaded front/rear                                      | lb               | 11,995 / 1,657   |
| 2.3              | Axle loading, unloaded front/rear                                    | lb               | 3,268 / 4,884    |
| Wheels, Chassis  |  |                  |                  |
| 3.1              | Tires: solid rubber, superplastic, pneumatic, polyurethane           | Pneumatic        | Pneumatic        |
| 3.2              | Tires size, front  | 7.00 - 12        | 8.15 x 15        |
| 3.3              | Tires size, rear   | 6.50 - 10        | 6.50 - 10        |
| 3.5              | Wheels, number front x rear (x = driven wheels)                      | 2 x 2            | 2 x 2            |
| 3.6              | Track width, front   | b10 (in)         | 38               |
| 3.7              | Track width, rear  | b11 (in)         | 38.6             |
| Basic Dimensions |  |                  |                  |
| 4.1              | Mast / fork carriage tilt forward / backward( $\alpha$ / $\beta$ )   | degrees          | 6 / 10           |
| 4.2              | Lowered mast height  | h1 (in)          | 85.6             |
| 4.3              | Free lift  | h2 (in)          | 6.1              |
| 4.4              | Lift height  | h3 (in)          | 130              |
| 4.5              | Extended mast height   | h4 (in)          | 176.6            |
| 4.7              | Overhead load guard (cab) height                                     | h5 (in)          | 85.8(87.3)       |
| 4.8              | Seat height / standing height  | h7 (in)          | 43.7             |
| 4.12             | Coupling height  | h10 (in)         | 11.1             |
| 4.20             | Length to face of forks  | l2 (in)          | 102.1            |
| 4.21             | Overall width  | b1 (in)          | 45.7             |
| 4.22             | Fork dimensions  | s / e / l (in)   | 41.3 x 3.9 x 1.8 |
| 4.23             | Fork carriage ISO 2328, class / type A,B                             |                  | II A             |
| 4.24             | Fork-carriage width  | b12 (in)         | 43.4             |
| 4.31             | Ground clearance, loaded, under mast                                 | m1 (in)          | 5.1              |
| 4.32             | Ground clearance, centre of wheelbase                                | m2 (in)          | 6.7              |
| 4.33             | Aisle width for pallets 1000 x 1200 crossways                        | Ast (in)         | 3,966            |
| 4.34             | Aisle width for pallets 800 x 1200 lengthways                        | Ast (in)         | 4,166            |
| 4.35             | Turning radius   | Wa (in)          | 90.5             |
| 4.36             | Smallest pivot point distance  | b13 (in)         | 28.1             |
| Performance Data |  |                  |                  |
| 5.1              | Travel speed, Unloaded   | mph              | 11.0             |
| 5.2              | Lift speed, Loaded/Unloaded  | fpm              | 23.6 / 24.0      |
| 5.3              | Lowering speed, Loaded/Unloaded                                      | fpm              | 19.7 / 17.7      |
| 5.5              | Drawbar pull, Loaded   | lb               | 5,318            |
| 5.7              | Gradient performance, Loaded   | %                | 37.1             |
| 5.9              | Acceleration time, loaded/unloaded (10m)                             | sec              | -                |
| 5.10             | Service brake  |                  | WET DISC         |
| Engine           |  |                  |                  |
| 6.1              | Engine manufacturer / type   |                  | HMC L4KB         |
| 6.2              | Engine power acc. to ISO 1585  | hp               | 59               |
| 6.3              | Rated speed  | 1/min            | 2,300            |
| 6.4              | No. of cylinder / cubic capacity                                     | /in <sup>3</sup> | 4 / 144          |
| Other Details    |  |                  |                  |
| 8.2              | Type of drive control  |                  | Power Shift      |
| 8.3              | Operating pressure   | bar              | 220 / 165        |
| 8.4              | Oil volume   | ℓ                | 30               |



6100 Atlantic Blvd Norcross, GA 30071  
TEL (678) 823 7777 FAX (678) 823 7778

PLEASE CONTACT

www.hceamericas.com

2015. 03 Rev. 0